

Fume cupboards for general purposes (DIGIM 9™, DIGIM 12™, DIGIM 15™, DIGIM 18™)



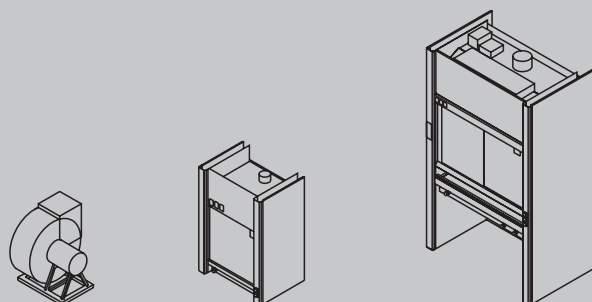
→ GENERAL PROPERTIES

- Made of galvanized metal sheet with epoxy powder coating (higher resistance)
- Completely according to EN norms
- Different worktops (technical ceramic material, epoxy, polypropylene, stainless steel)
- Safety non-dispersing 6mm glass
- Supply fittings (water, gas, vacuum- optional, demineralised water-optional, oxygen-optional, etc.)
- 220V16A socket (standard 3 pieces) IP44 protection
- Ventilator with engine in EX version-optional (Protection Exe IIT1-T3, IP54, Zone 1 and 2)
- AFM Process handling- optional
- According to HRN D.E2.105. EN 14175-2

→ DIMENSIONS ACCORDING TO EN norms 14725-2

	DIGIM 12™	DIGIM 15™	DIGIM 18™
width	1200	1500	1800
hight	2500	2500	2500
tot.hight¹	2800	2800	2800
hight wt²	900	900	900
width wt³	1000	1300	1600
depth	900(950)	900(950)	900(950)

1 - necessary height, 2 - worktop height above the floor, 3 - working width



Fume cupboards for general purposes (DIGIM 9™, DIGIM 12™, DIGIM 15™, DIGIM 18™)

→ TECHNICAL CERAMIC MATERIAL

- Worktop and tub
- High chemical and biological resistance
- No joints or junctions
- Elevated edges on all four sides

→ SAFETY CUPBOARDS

- For acids, bases and inflammable substances
- Self-ventilated
- Top quality
- TUV certificate

→ PROCESSOR MANAGMENT

- Complete fume cupboard work control
- Air circulation control according to EN 12924 II part
- Optimization of ventilator rotation - saving heating at workplaceu

→ CARBON FILTERS

- different dimensions and purposes
- high ventilation efficiency
- simple and efficient maintenance



→ BENCH MOUNTED FUME CUPBOARD: DIGIM 9

- Compact model suitable for less demanding users who do not use strong reagents.
- Quality equal to that of big self-standing models (DIGIM 12, DIGIM 15 i DIGIM 18).
- Properties: 900x650x1350, implanted engine with ventilator 250m³/h, lights, gas supply, 2x220V socket IP 44, PP worktop, safety glass, weight 70 kg.



Grga & Melita

Croatia, 10 000 Zagreb, Sveti Duh 62
tel: +385 (1) 3745 510, 3906 616
mob: +385 (98) 355 274, 492 717
fax: +385 (1) 3906 615
e-mail: grga-melita@zg.t-com.hr
web: www.grga-melita.hr